

Excellence through experience



C6--C5
#7 3/4--6 x 9



2 mm/0.08"



100,000 sheets/h



26,000 env/h



≥ 1 channel



7 mm/0.28"

TURBO8G

The eighth generation represents perfection

Since introducing the first Turbo in 1976, BÖWE SYSTEC has continuously updated and developed its concept. For the design of the eighth generation, the focus was on the availability of the systems and the controlling of the production process. In line with these market requirements, the eighth generation Turbo features more than 50 technical improvements. Amid all these innovations, the Turbo 8G retains its successful qualities, like gentle handling through vertical transport, shortest set-up times through fully automated job changes and modularity – and all this while maintaining the highest level of integrity and a throughput of up to 26,000 or 22,000 envelopes per hour.



The **Turbo inserting concept** guarantees fast, gentle and intelligent processing



Throughput of either up to 26,000 envelopes (Turbo 8G 26k) or 22,000 envelopes per hour (Turbo 8G 22k)



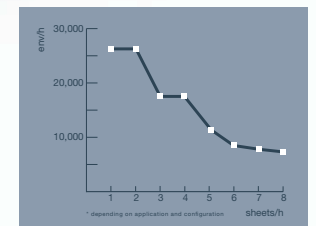
Roller feeding of envelopes employing the envelope roller Tornado, specifically developed for the Turbo



Highly flexible in processing enclosures



Universal **modularity** makes it fit into all locations



The Turbo inserting concept fast, gentle and intelligent processing

Vertical transport of materials ensures secure guiding and fast, precise handling of documents. This process reduces wear and tear on the material, but also on the machine, guaranteeing reliable performance in continuous operation. For the Turbo 8G, the transport speeds have been harmonized. This improves the stability of the process and enables the processing of high print volumes within the shortest time. Highest integrity is achieved by utilizing sensors to locate and identify every document in the machine.



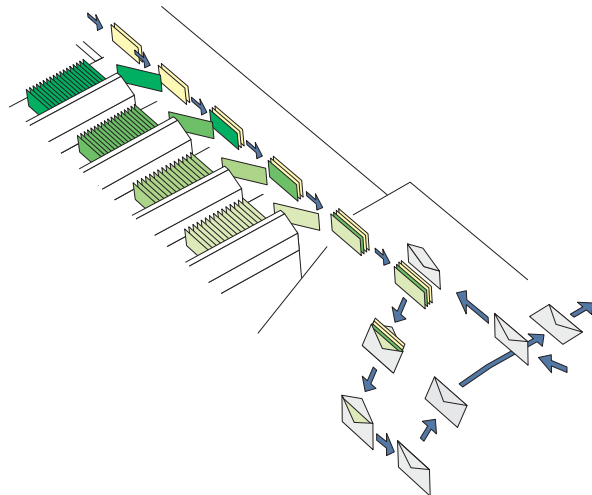
The new Turbo generation also offers new intelligent features:

› The inserting system adjusts the speed according to the package size e.g.

slowing down when processing thicker sets

› Event triggered stop function ensures the system only stops when absolutely necessary

› User defined tolerance settings allow the bypassing of enclosure and envelope errors without stopping the system



A sophisticated system at two different speeds

The Turbo 8G offers integrity, flexibility and productivity at the highest level for high volume mail processing. From document infeed to enclosure handling and post-processing, all production steps are perfectly integrated. This remarkable machine is available in two performance classes.



One system, two speeds:

At a capacity of up to 26,000 envelopes per hour, the **Turbo 8G 26k** is perfect for single-channel applications and high volume jobs with low page count per envelope.

The competitively priced **Turbo 8G 22k** with a capacity of up to 22,000 envelopes per hour is ideal for complex single- and multi-channel applications or high volume jobs.

In case mailroom requirements change, upgrading the Turbo 8G 22k to 26k is easy.



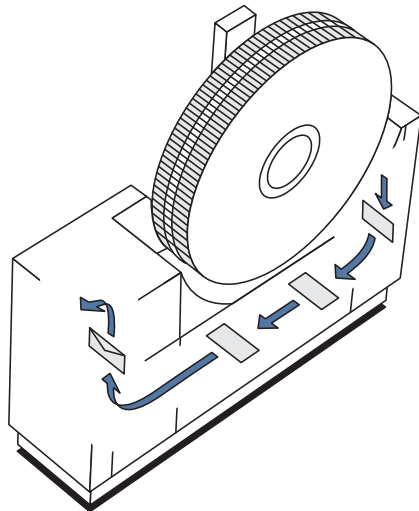
Tornado envelope roller

Efficient roller feed

The Tornado will streamline the efficiency of any mailroom: Specifically designed for the Turbo 8G series, the roller for continuous infeed of envelopes ensures high productivity. The Tornado automatically feeds envelopes into the inserting system in one continuous flow over longer periods of time, resulting in reduced operator workload and a clear increase in efficiency in the mailroom.



- › High productivity with a maximum speed of up to 24,000 envelopes per hour
- › Capacity (per roll) of up to 25,000 envelopes in C5 format or up to 40,000 envelopes in C6/5-, DIN-long formats respectively
- › Perfect for higher volume projects with standard envelopes; for custom formats, the envelope feeder remains available
- › Automatic envelope infeed reduces operator workload
- › Minimizes storage space requirement for envelopes
- › Installation and upgrades for Turbo 8G systems easily available



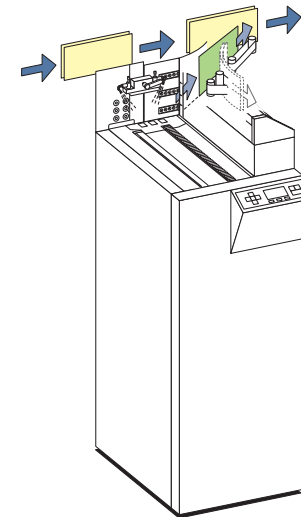
Extraordinary flexibility

in enclosure handling

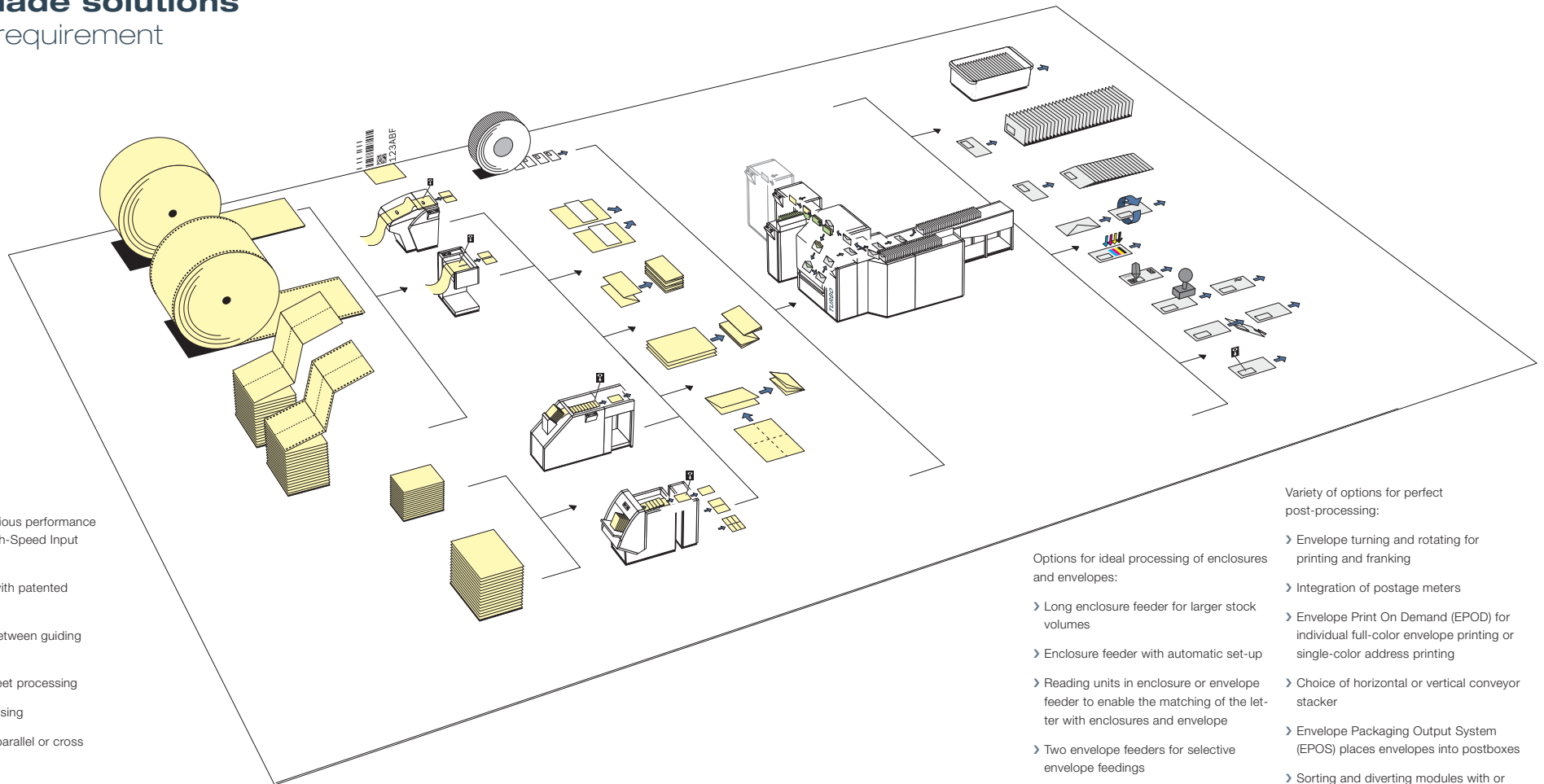
Enclosure handling is becoming one of the most complex tasks in the mailroom. The trick is to find a way to handle enclosures made from different materials in the shortest possible time. Frequently changing enclosures or thin, glossy and heavy quality paper are the challenges faced every day. Our solution is the enclosure feeder 5553 with automated and reproducible settings.



- › Reducing the number of set-up procedures significantly increases the productivity of the whole system. This enclosure feeder comes with a so-called "teach-in" option, measuring thickness and width of the enclosure to be processed at the touch of a button and automatically setting up the feeder accordingly. An important functionality for mailrooms handling a wide range of applications and constantly changing enclosures.
- › Enclosure switching at the touch of a button
- › Electronic, self-adjusting thickness control
- › All set-up information reproducible



Tailor-made solutions for every requirement



Highly flexible infeed:

- › Infeed channels in various performance classes, including High-Speed Input Channel
- › Multi-channel-ready with patented auto-sync
- › Unlimited switching between guiding channels
- › Continuous or cut-sheet processing
- › 1-up and 2-up processing
- › Z, C-, single, double parallel or cross folds possible
- › Assembling before and/or after folding

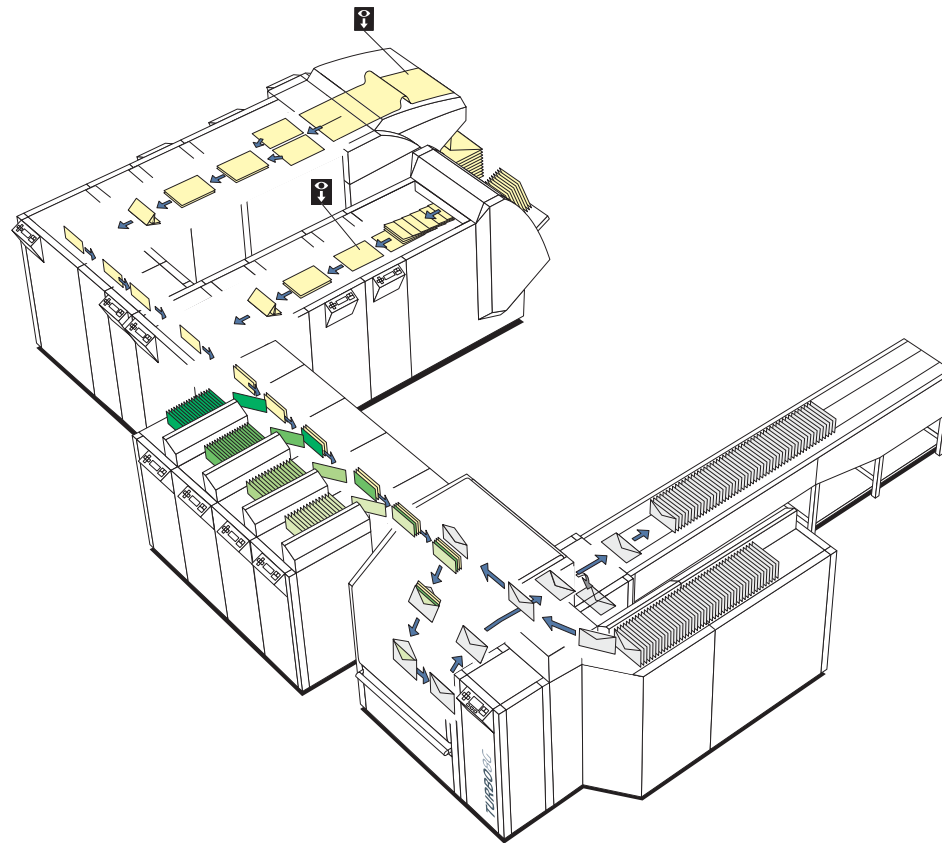
Options for ideal processing of enclosures and envelopes:

- › Long enclosure feeder for larger stock volumes
- › Enclosure feeder with automatic set-up
- › Reading units in enclosure or envelope feeder to enable the matching of the letter with enclosures and envelope
- › Two envelope feeders for selective envelope feedings
- › Automatic continuous envelope infeed with envelope roller Tornado

Variety of options for perfect post-processing:

- › Envelope turning and rotating for printing and franking
- › Integration of postage meters
- › Envelope Print On Demand (EPOD) for individual full-color envelope printing or single-color address printing
- › Choice of horizontal or vertical conveyor stacker
- › Envelope Packaging Output System (EPOS) places envelopes into postboxes
- › Sorting and diverting modules with or without stacking

Technical Data



Max. performance

C6, B6, B6+, DL, C6/5 #7 3/4, #10	up to 26,000 env/h	C5 6 x 9	up to 22,000 env/h
--------------------------------------	--------------------	-------------	--------------------

Documents from the infeed channel

Width	148 mm - 235 mm (1-up) 148 mm - 220 mm (2-up)	Height	3.5" - 16"
Paper weight	60 - 160 g/m ²		

Enclosures

Max. number	14 feeders	Height	70 mm - 153 mm
Width	125 mm - 220 mm		

Envelopes

Width	160 mm - 248 mm	Feeder capacities	approx. 2,700 env.
Height	90 mm - 162 mm	Paper weight	75 - 100 g/m ²

Max. inserting package

Height	up to 7 mm
--------	------------

www.cess.com.mx
 info@cess.com.mx
 +52(55) 5286-4122

CESS MAILING + FULFILLMENT